

Conventional V-Belts for ARPM / RMA IP-20 Wrapped Type / Raw Edge Cogged Type

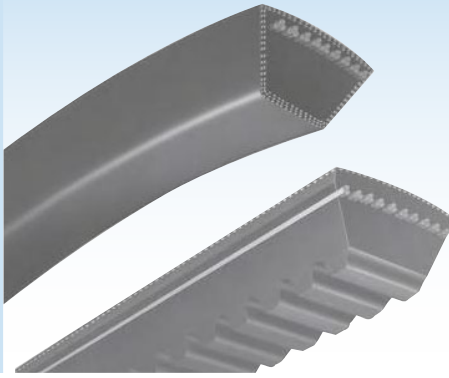
Conventional V-belts are the most widely used power transmission belts. Economical and easily-available for replacement.

Product Code

A-40

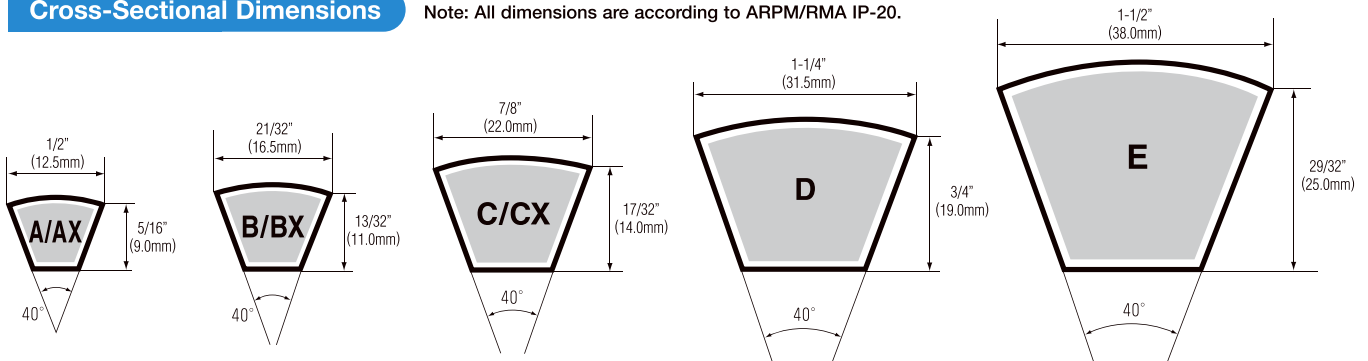
Cross Section

Belt Code (inch)



Cross-Sectional Dimensions

Note: All dimensions are according to ARPM/RMA IP-20.



Standard Belt Sizes

(Note) Above dimensions are nominal values.

A,AX							
Belt Code	Inside length Li (mm)	Outside length (mm)	Outside Length (in.)	Belt Code	Inside length Li (mm)	Outside length (mm)	Outside Length (in.)
20	508	563	22.2	75	1905	1958	77.1
21	533	588	23.1	76	1930	1983	78.1
22	559	613	24.1	77	1956	2013	79.3
23	584	638	25.1	78	1981	2038	80.2
24	610	663	26.1	79	2007	2063	81.2
25	635	688	27.1	80	2032	2088	82.2
26	660	713	28.1	81	2057	2113	83.2
27	686	743	29.3	82	2083	2138	84.2
28	711	743	29.3	83	2108	2163	85.2
29	737	793	31.2	84	2134	2188	86.1
30	762	818	32.2	85	2159	2213	87.1
31	787	843	33.2	86	2184	2238	88.1
32	813	868	34.2	87	2210	2263	89.1
33	838	893	35.2	88	2235	2288	90.1
34	864	918	36.1	89	2261	2313	91.1
35	889	943	37.1	90	2286	2343	92.2
36	914	968	38.1	91	2311	2368	93.2
37	940	993	39.1	92	2337	2393	94.2
38	965	1018	40.1	93	2362	2418	95.2
39	991	1043	41.1	94	2388	2443	96.2
40	1016	1073	42.2	95	2413	2468	97.2
41	1041	1098	43.2	96	2438	2493	98.1
42	1067	1123	44.2	97	2464	2520	99.2
43	1092	1148	45.2	98	2489	2545	100.2
44	1118	1173	46.2	99	2515	2570	101.2
45	1143	1198	47.2	100	2540	2596	102.2
46	1168	1223	48.1	102	2591	2647	104.2
47	1194	1248	49.1	105	2667	2723	107.2
48	1219	1273	50.1	108	2743	2799	110.2
49	1245	1298	51.1	110	2794	2850	112.2
50	1270	1323	52.1	112	2845	2901	114.2
51	1295	1348	53.1	115	2921	2977	117.2
52	1321	1378	54.3	118	2997	3053	120.2
53	1346	1403	55.2	120	3048	3104	122.2
54	1372	1428	56.2	122	3099	3155	124.2
55	1397	1453	57.2	125	3175	3231	127.2
56	1422	1478	58.2	128	3251	3307	130.2
57	1448	1503	59.2	130	3302	3358	132.2
58	1473	1528	60.2	135	3429	3485	137.2
59	1499	1553	61.1	140	3556	3612	142.2
60	1524	1578	62.1	145	3683	3739	147.2
61	1549	1603	63.1	150	3810	3866	152.2
62	1575	1628	64.1	155	3937	3993	157.2
63	1600	1653	65.1	160	4064	4120	162.2
64	1626	1678	66.1	165	4191	4247	167.2
65	1651	1708	67.2	170	4318	4374	172.2
66	1676	1733	68.2	175	4445	4501	177.2
67	1702	1758	69.2	180	4572	4628	182.2
68	1727	1783	70.2				
69	1753	1808	71.2				
70	1778	1833	72.2				
71	1803	1858	73.1				
72	1829	1883	74.1				
73	1854	1908	75.1				
74	1880	1933	76.1				

Size range: 20" ~ 360"

: Available size for Raw Edge Cogged V-Belts AX